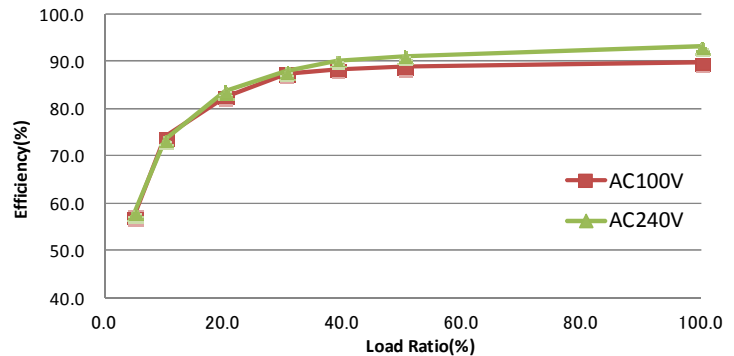


## High Efficiency, Low Noise with Peak Power Capability

The **SWH** employs SanKen's proprietary LLC type resonant-mode and silicon carbide technology. The PSU is single output, providing 115% peak power for 10s whilst occupying a market leading position for efficiency.

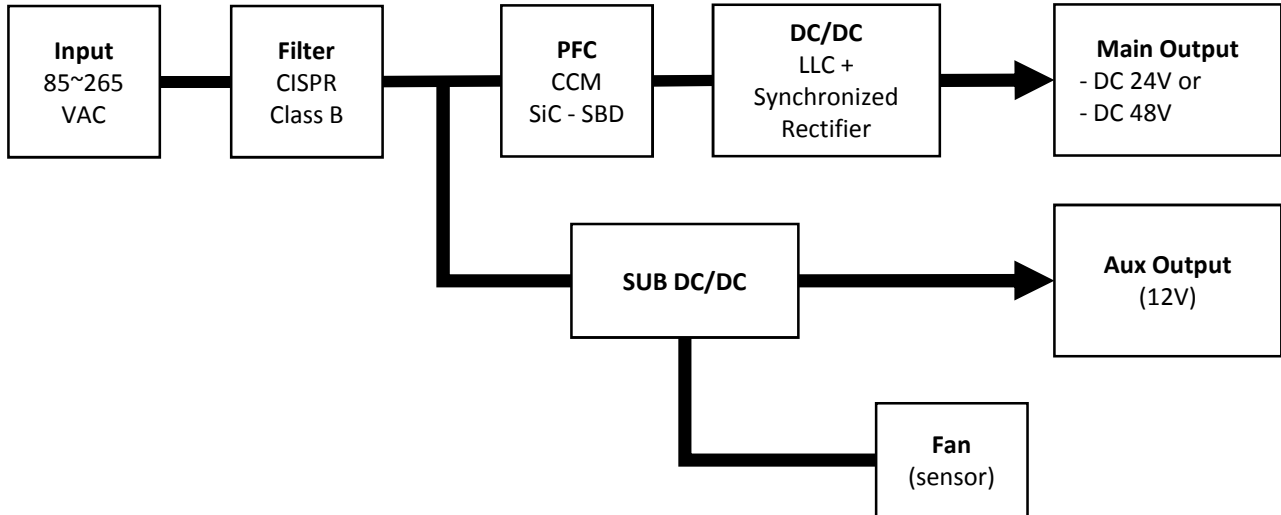


SWH650-24 efficiency Vs load

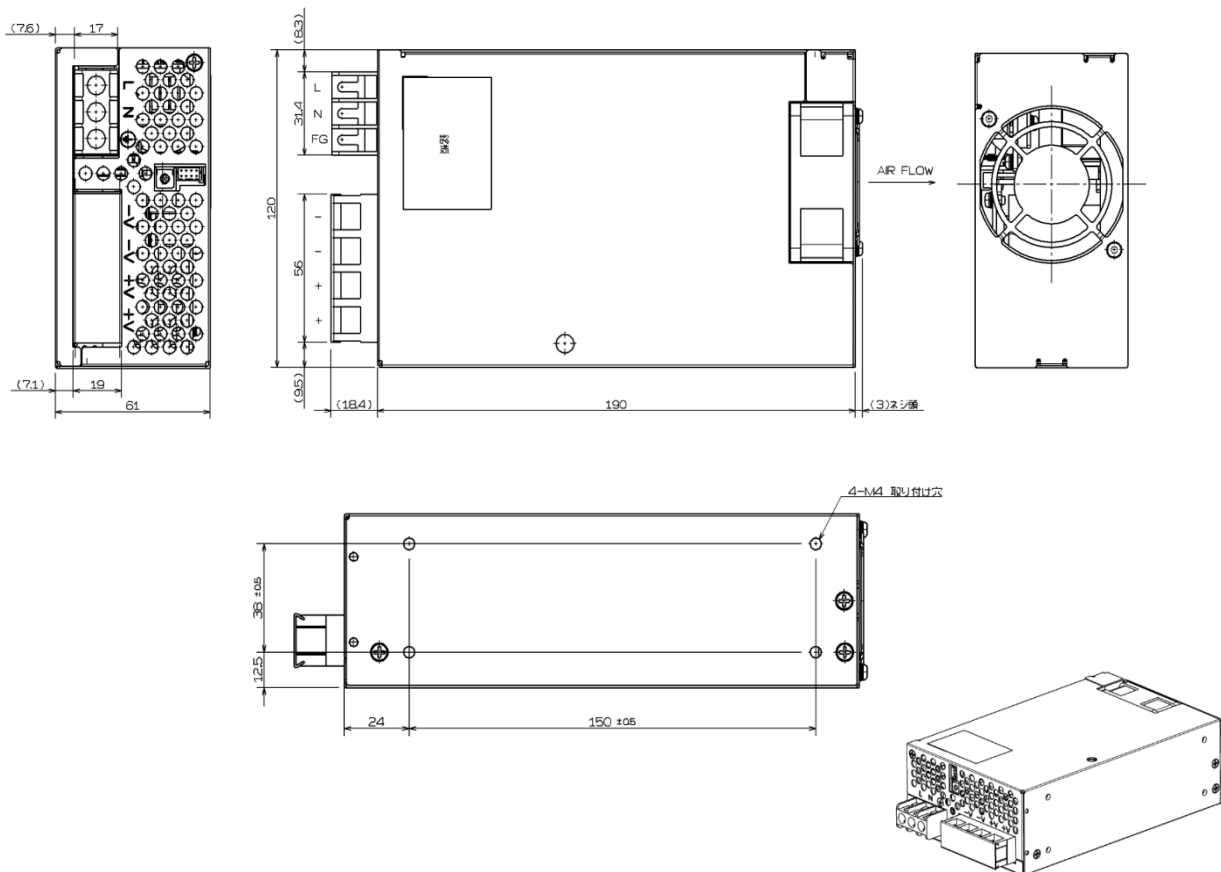
- Key Feature: High power density, high efficiency & low noise via LLC and Silicon Carbide  
Provides peak power support (115%) for 10 seconds
- Input Voltage: World wide input (AC 85V ~ AC 265V)
- Output: Single output 24V / 48V
- Protection: OCP, OVP, OHP and Fan lock
- Features: Remote On/Off, display operation status, power fail signal and AUX output (12V)

Characteristic		SWH650-xx	
Rated Power		648W	624W
Input Conditions	Rated Input Voltage	100 to 240 VAC	
	Efficiency (typ)	88% (VIN = 100 V) / 91% (VIN = 240 V)	
	Leakage Current (max)	0.35mA(100VAC)/0.5mA(230VAC)	
Output Conditions	Rated Output Voltage	24VDC	48VDC
	Output Voltage Variation	21.6V - 26.4V (±10%)	43.2V - 52.8V (±10%)
	Rated Output Current	27A (typ) /31A (peak for less than 10 secs and Duty at less than 35%)	13A (typ) /15A (peak for less than 10 secs and Duty at less than 35%)
	Output Holding Time (min)	20ms	
	Operating temperature range	-20 degree C to +70 degree C (De-rating, 100% at 60 degree C)	
Safety Standards		UL, c-UL, EN(60950-1), Design to meet EN50178 and PSE	
Size mm (W x H x D)		120 x 61 x 190 (1.6Kg)	

## Block diagram



## Dimensions



**Important Information**

- The products should be handled only by persons who have competent electrical knowledge.
- Be sure to read through all safety precaution and operation manuals before installation, operation, or maintenance and to use the products only for the intended use and in accordance with all applicable safety standards and regulations in the location of use.

---

Sanken reserves the right to make, from time to time, such departures from the detail specifications as may be required to permit improvements in the performance, reliability, or manufacturability of its products. Therefore, the user is cautioned to verify that the information in this publication is current before placing any order.

When using the products described herein, the applicability and suitability of such products for the intended purpose shall be reviewed at the users' responsibility.

Although Sanken undertakes to enhance the quality and reliability of its products, the occurrence of failure and defect of semiconductor products at a certain rate is inevitable.

Users of Sanken products are requested to take, at their own risk, preventative measures including safety design of the equipment or systems against any possible injury, death, fires or damages to society due to device failure or malfunction.

Sanken products listed in this publication are designed and intended for use as components in general-purpose electronic equipment or apparatus (home appliances, office equipment, telecommunication equipment, measuring equipment, etc.). Their use in any application requiring radiation hardness assurance (e.g., aerospace equipment) is not supported.

When considering the use of Sanken products in applications where higher reliability is required (transportation equipment and its control systems or equipment, fire- or burglar-alarm systems, various safety devices, etc.), contact a company sales representative to discuss and obtain written confirmation of your specifications.

The use of Sanken products without the written consent of Sanken in applications where extremely high reliability is required (aerospace equipment, nuclear power-control stations, life-support systems, etc.) is strictly prohibited.

The information included herein is believed to be accurate and reliable. Application and operation examples described in this publication are given for reference only and Sanken assumes no responsibility for any infringement of industrial property rights, intellectual property rights, or any other rights of Sanken or any third party that may result from its use. The contents in this document must not be transcribed or copied without Sanken's written consent.